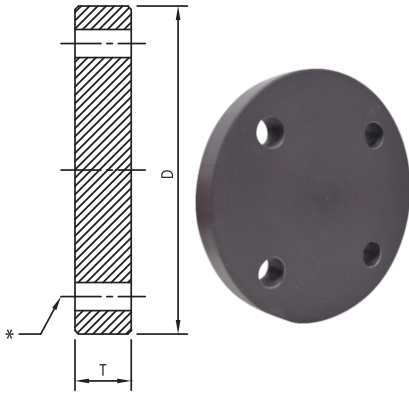


# BLIND FLANGE



An ISO 9001:2015 Company

Parth brand owned by  
Parth Poly Fusion Pvt. Ltd.



- Fusion Type - Butt-Fusion Fitting
- MOC - PP (Polypropylene) / PPCP - NATURAL (Polypropylene - Comopolymer) / ISO-PP (Isotactic Polypropylene) / HDPE (High-Density Polyethylene) / PP-H (Polypropylene - Homopolymer) / PPR-C (Polypropylene Random - Copolymer) AND PVDF (Polyvinylidene Fluoride)
- As Per IS: 8008 - 1976 (PART VII)
- Max. Working Pressure and Temp.: 10kg / cm<sup>2</sup> | 150 PSI and 80° C
- Flange PCD: Flanged as per ANSI B 16.5 (ASA 150), BS 10 (Table D/E/F), DIN STD, and Undrilled.
- Available Size: ½" (20 MM) to 12" (315 MM)

**Note: Fitting may have our old "PARTH" Logo**

SIZE		CODE	ØD	T
IN.	MM			
½ "	20	P1BF01	25.5	18.0
¾ "	25	P1BF02	32.0	18.0
1 "	32	P1BF03	37.0	19.0
1 ¼ "	40	P1BF04	47.0	19.0
1 ½ "	50	P1BF05	57.0	21.0
2 "	63	P1BF06	70.0	21.0
2 ½ "	75	P1BF07	83.0	21.0
3 "	90	P1BF08	97.5	21.0
4 "	110	P1BF09	118.0	22.0
5 "	125	P1BF10	133.0	23.0
5 ¼ "	140	P1BF11	145.0	25.0
6 "	160	P1BF12	167.0	25.0
7 "	180	P1BF13	188.0	26.0
8 "	200	P1BF14	207.5	28.0
9 "	225	P1BF15	233.0	28.0
10 "	250	P1BF16	257.0	29.0
11 "	280	P1BF17	287.0	29.0
12 "	315	P1BF18	325.0	29.0

All Dimensions Are In mm

(±2 MM)

As Per Is : 8008-1976 (part VII)

Max. Working Pressure 10kg/cm<sup>2</sup>

WORKING PRESSURE	
BODY	TEMP.
150 PSI	80° C



**PARTH POLY FUSION PVT. LTD.**

New Survey No. : 1065/1, Opp. Viva - 2 Ind. Estate,  
Near Bhavda Gaam Canal, Bhavda, Ta: Daskroi,  
Dist : Ahmedabad, GJ, IN. Pin Code : 382433

**AEROCHEM PIPING PVT. LTD.**

Plot No. 258, Road No. 1/B,  
Phase - I, Kathwada GIDC,  
Ahmedabad, GJ, IN. Pin Code : 382430

**CONTACT :**

+91-9375112220  
sales@parthvalves.com  
www.parthfusion.com

Note: Every effort has been made to ensure the information in this brochure is correct at the date of issue. Parth Poly Fusion Pvt. Ltd. operates a policy of continual product improvement and range extension, hence reserves the right to modify product specifications, without prior information, in line with market requirements.